



## Absolute Maximum Ratings

Parameter	Symbol	Min	Max	Unit

## Operating Conditions

Parameter	Symbol	Min	Typical	Max	Unit

Notes:

## Transmitter Specifications – Optical

Parameter	Symbol	Min	Typical	Max	Unit
	$\lambda_c$				

Notes:

## Transmitter Specifications – Electrical

Parameter	Symbol	Min	Typical	Max	Unit



					Ω

### Receiver Specifications – Optical

Parameter	Symbol	Min	Typical	Max	Unit

Notes:

### Receiver Specifications – Electrical

Parameter	Symbol	Min	Typical	Max	Unit

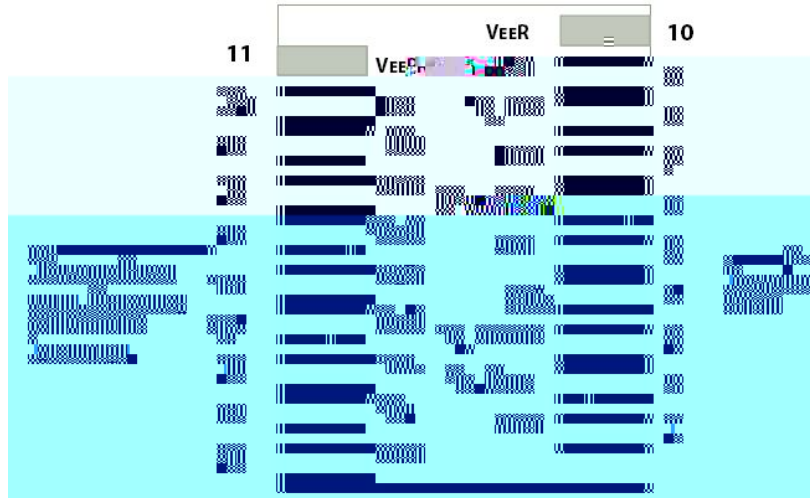


Figure1.Electrical Pin-out Details

## Pin Descriptions

Pin	Symbol	Name/Description
-----	--------	------------------

≡



F-tone Networks

# 北亿纤通科技有限公司

F-TONE GROUP 集团旗下

---


Notes:

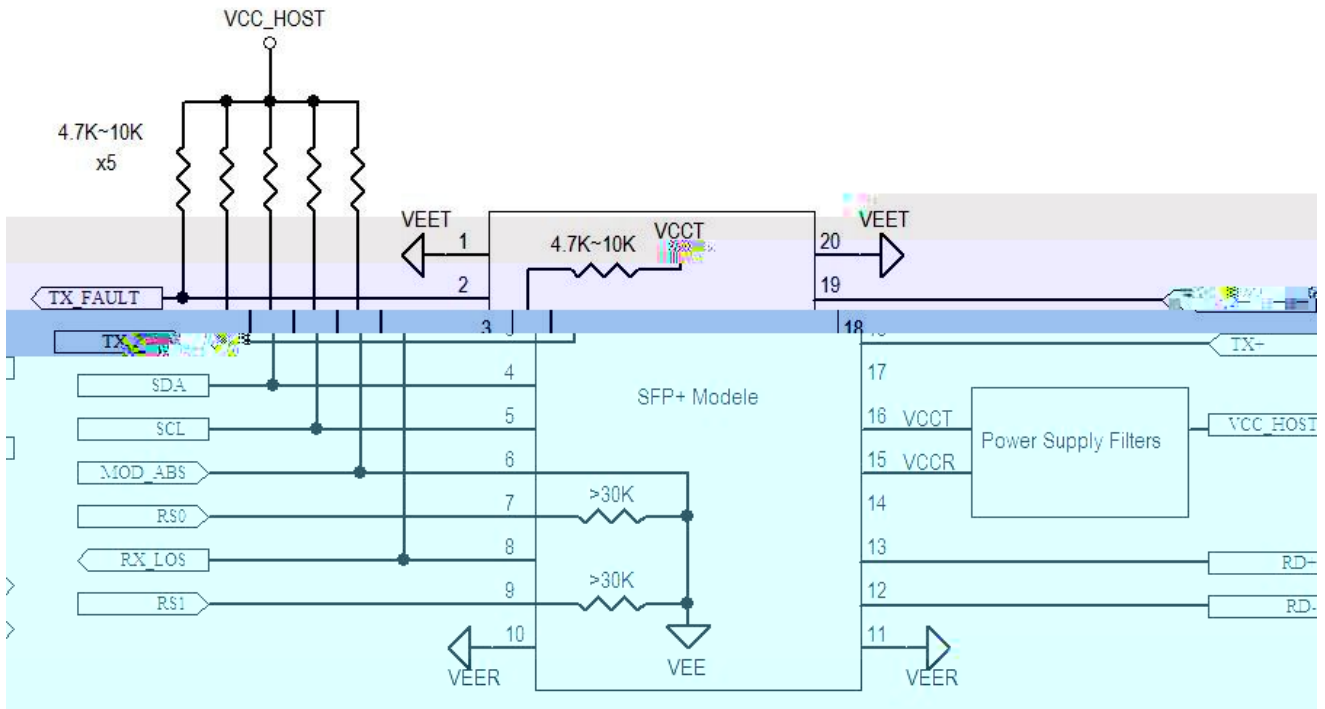


Figure3. Host-Module Interface

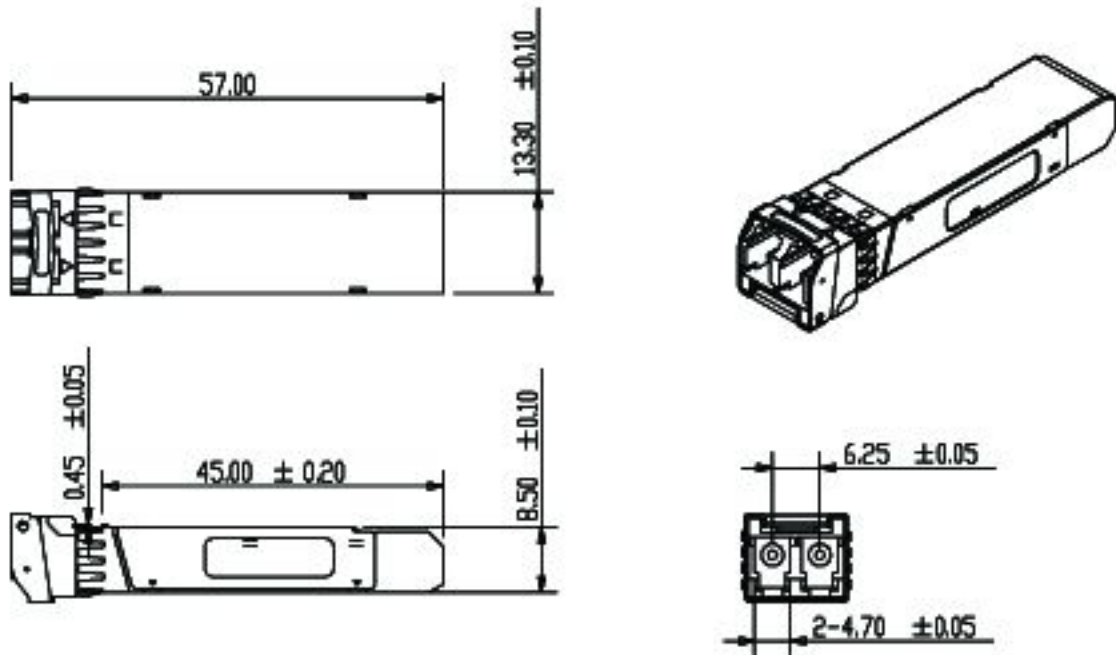


Figure6. Mechanical Specifications



F-tone Networks

# 北亿纤通科技有限公司

F-TONE GROUP 集团旗下

---

## Regulatory Compliance